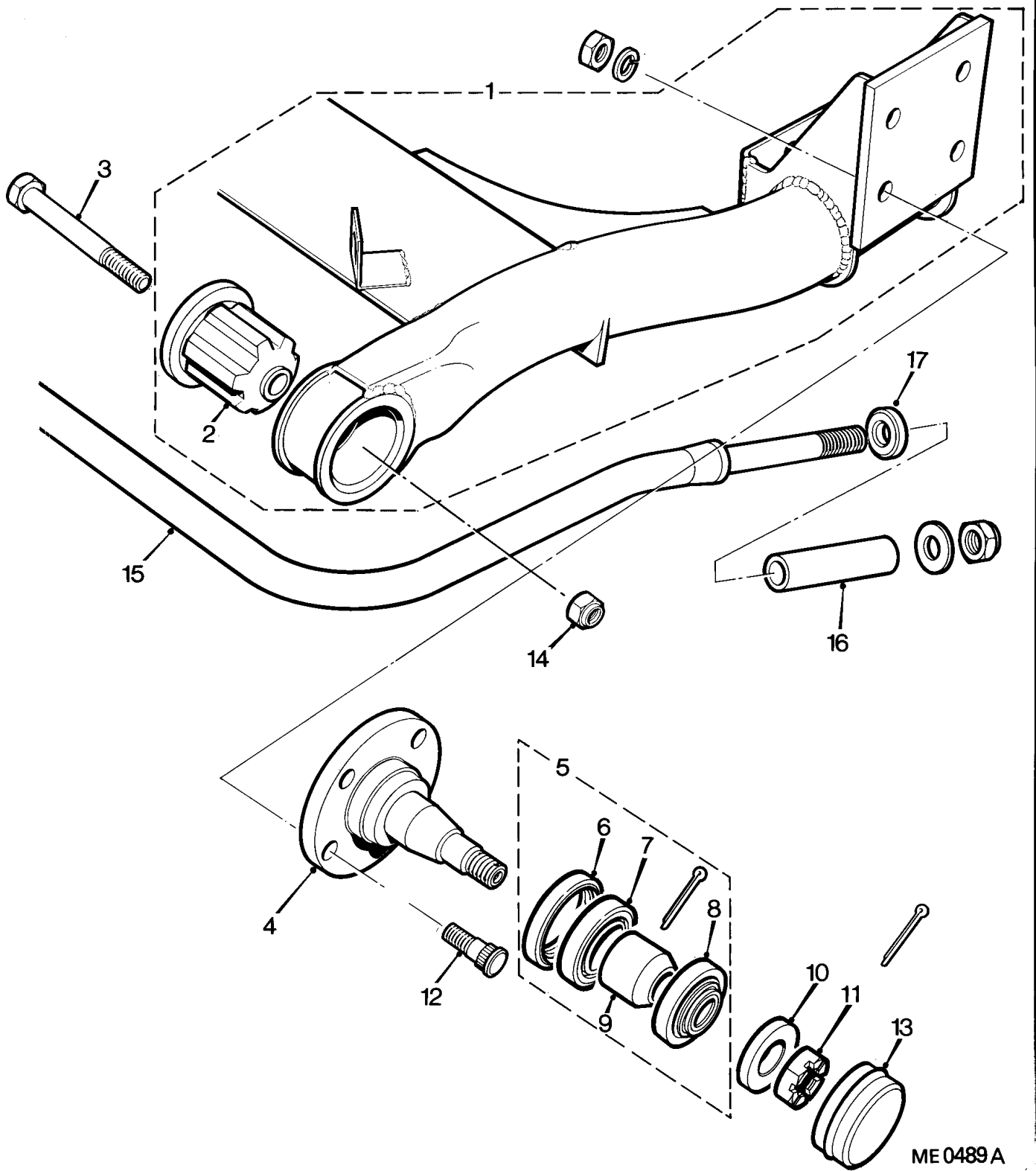


MAESTRO RANGE (JAN 1986 ON VIN 367395) - REAR SUSPENSION-SALOON.

Page 2

REAR SUSPENSION-SALOON. Page 2 Illustration

	Part Number	Description	Qty	Change Point	Remarks
1	NAM 5842	Frame-'H'	NLA		Use NAM 9171 Saloon
2	NAM 2769	Bush-pivot	NLA		Use 2 off NAM 5945 except MG NAM 7152 MG
1	NAM 9171	Frame 'H'	1		Saloon
2	NAM 5945	Bush Pivot	2		Except MG
2	NAM 7152	Bush Pivot	2		MG and Advantage
3	BH 110161	Bolt-'H' frame to body	2	(V)367395 TO 545365	
14	NV 110041	Nut-bolt-hub to frame	2		
3	NAM 4646	Bolt-'H' frame to body	2	(V)545366 ON	
14	NV 110051	Nut-nyloc-hub to frame	2		
4	NAM 3450	Shaft-stub-RH	1		Saloon
4	NAM 3451	Shaft-stub-LH	1		
4	NAM 5138	Shaft-stub-RH	1		Van
4	NAM 5139	Shaft-stub-LH	1		
5	GHK 1201	KIT-HUB BEARING AND OIL SEAL-REAR	2		
6	GHS 135	Seal-oil	2		
7	GHB 218	Bearing-inner	2		Saloon
8	GHB 219	Bearing-outer	2		
9	FAM 9716	Spacer-bearing	2		
5	GHK 1241	Kit-hub bearing and oil seal-rear	2		
6	GHS 225	Seal-oil	NLA	(V)367395 TO 448014	Use GHS 101
6	GHS 101	Seal-oil	2	(V)448015 ON	
7	GHB 211	Bearing-inner	2		Van
8	GHB 212	Bearing-outer	2		
9	NAM 4358	Spacer-bearing	2		
10	BTA 672	Washer-hub centre	2		
11	FAM 8281	Nut-slotted-hub centre-RH	1		
11	NAM 2343	Nut-slotted-hub centre-LH	1		
12	FAM 8116	Stud-hub to frame	8		Saloon
13	2A 4067	Cap-grease retaining	2		
13	ATB 4098	Cap-grease retaining	2		Van
15	NAM 4892	Bar-anti-roll	1		
	NAM 5694	Bush-anti-roll bar-front	2		MG EFi
16	NAM 4932	Spacer-bar to 'H' frame	2		
17	NAM 6095	Spacer-anti-roll bar	2		
	BH 110091	Bolt-hub and axle	8		Van
	NY 110041	Nut-nyloc-hub to frame	8		



ME 0489 A